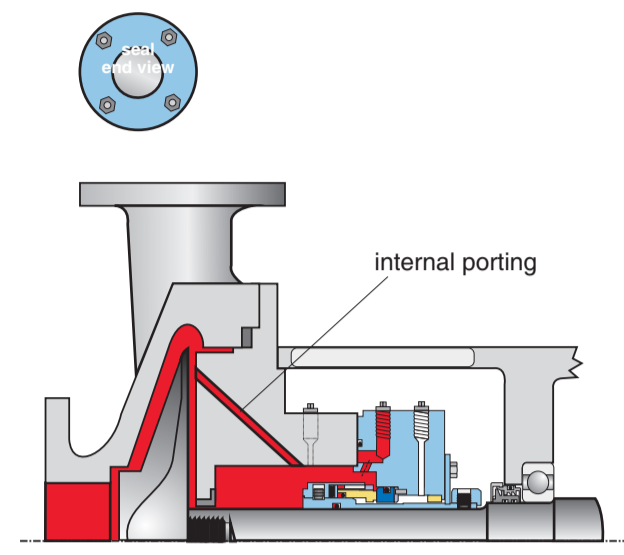
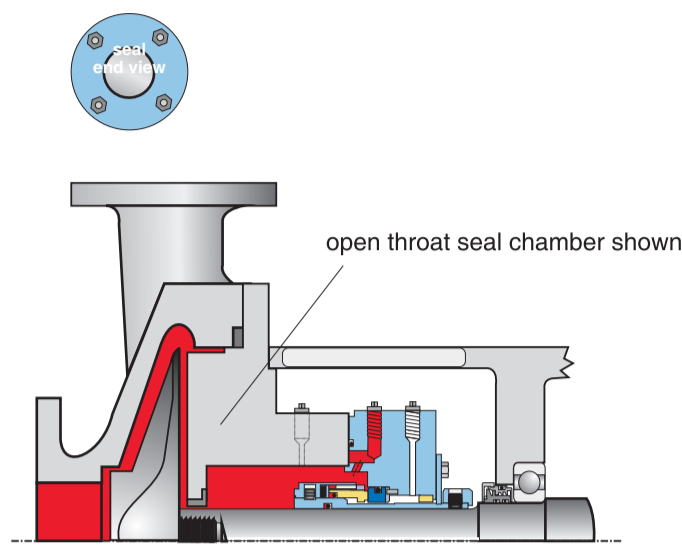


# API PIPING PLAN

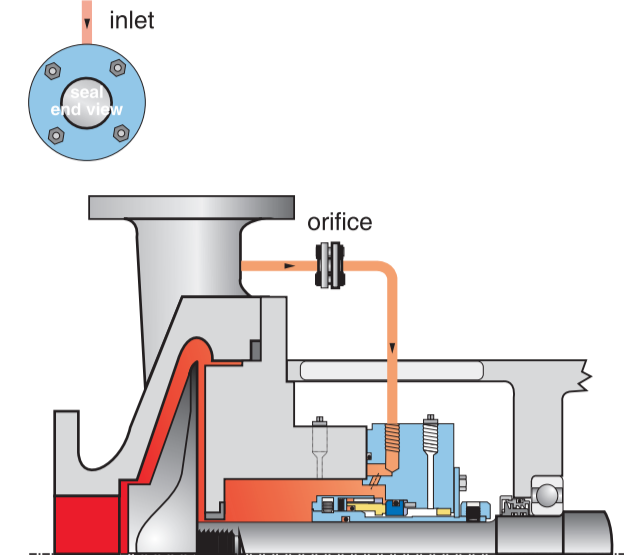
Plan 01



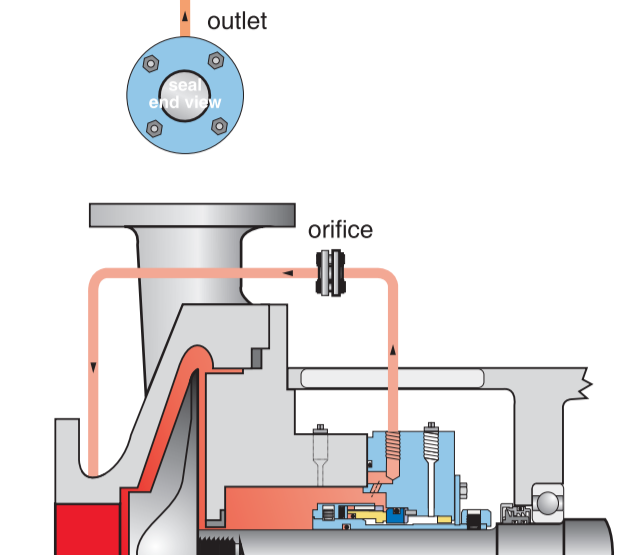
Plan 02



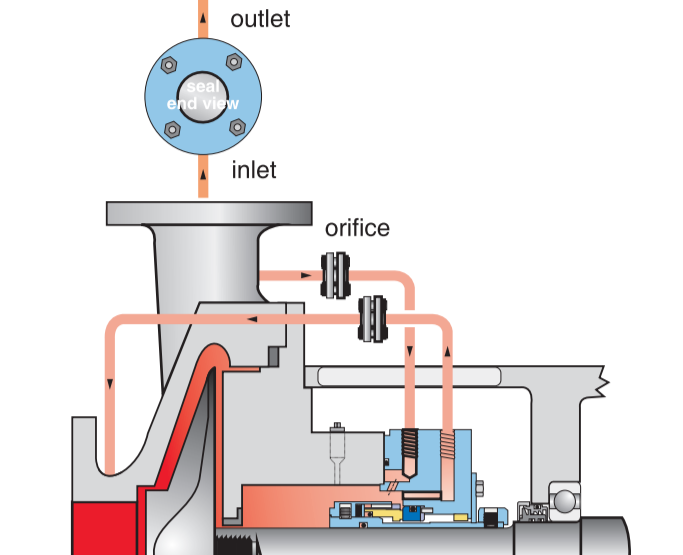
Plan 11



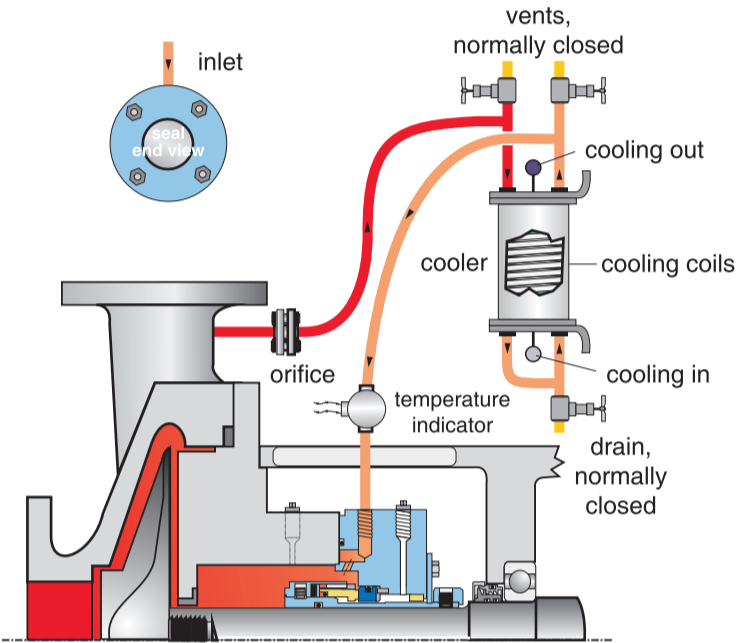
Plan 13



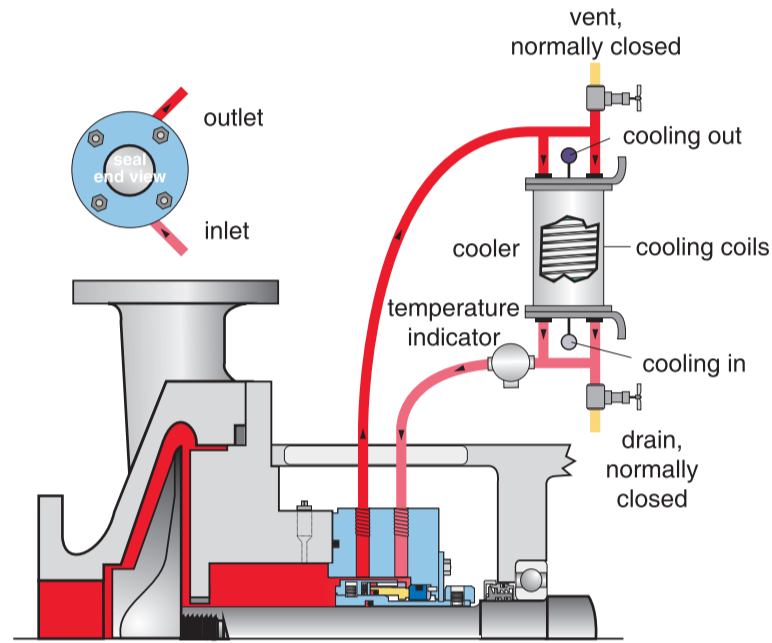
Plan 14



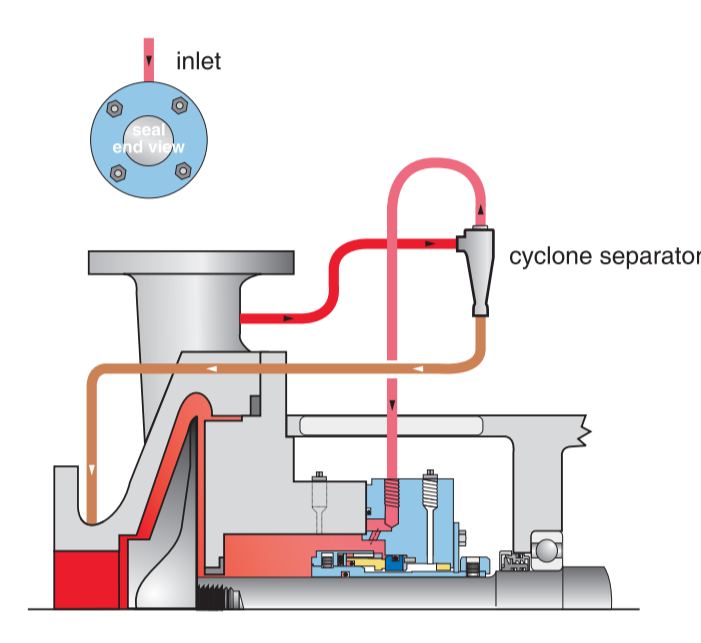
Plan 21



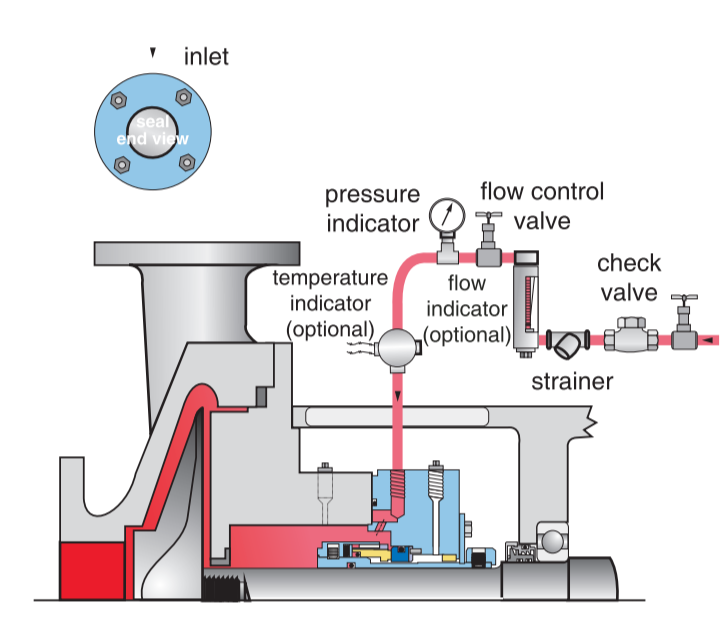
Plan 23



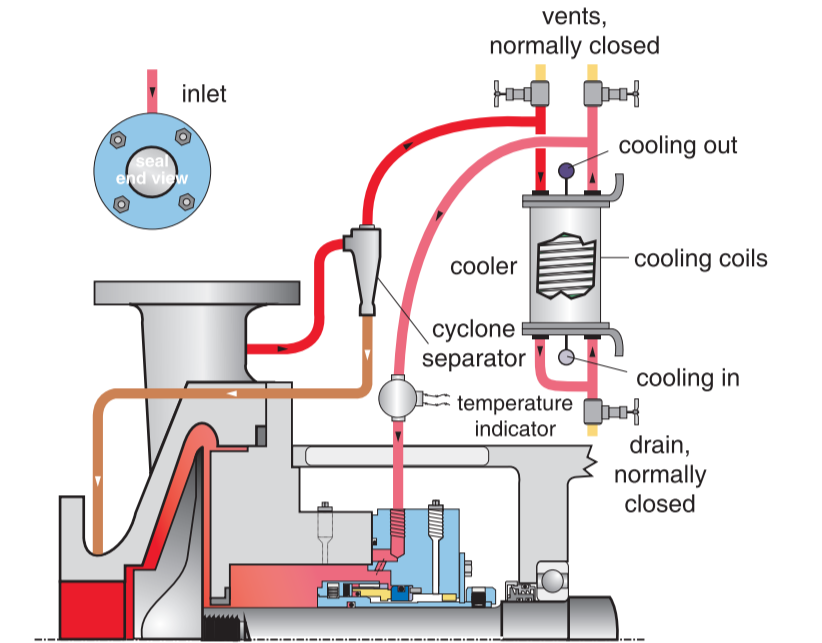
Plan 31



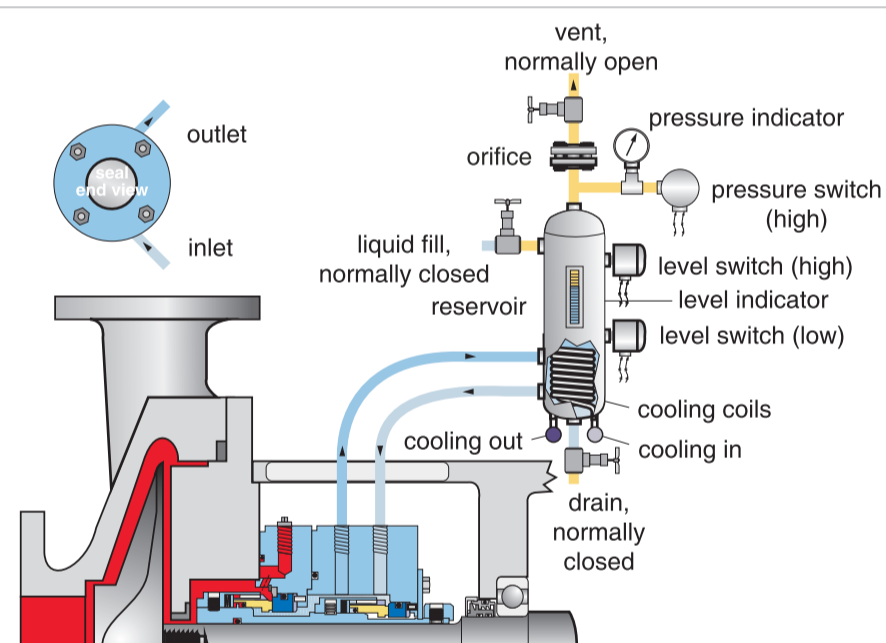
Plan 32



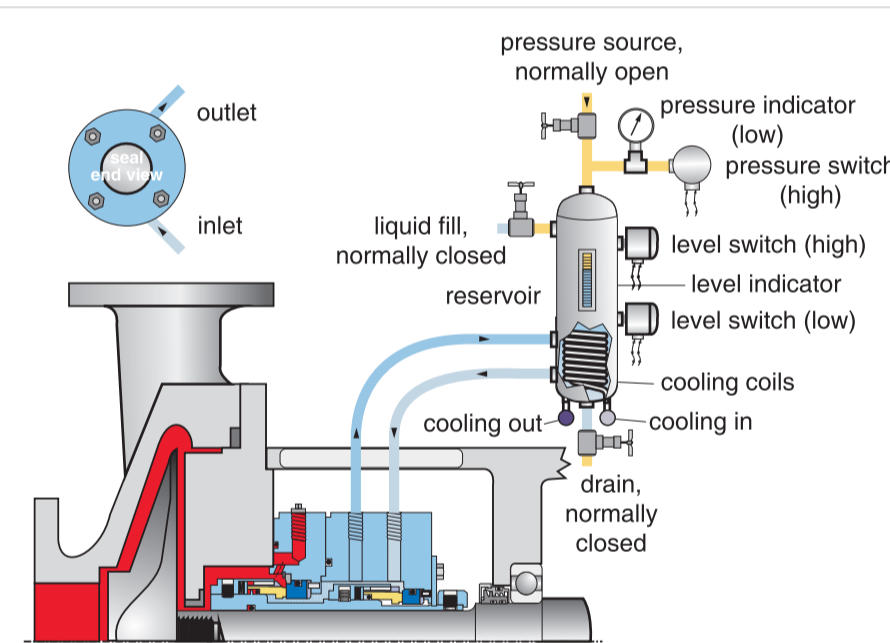
Plan 41



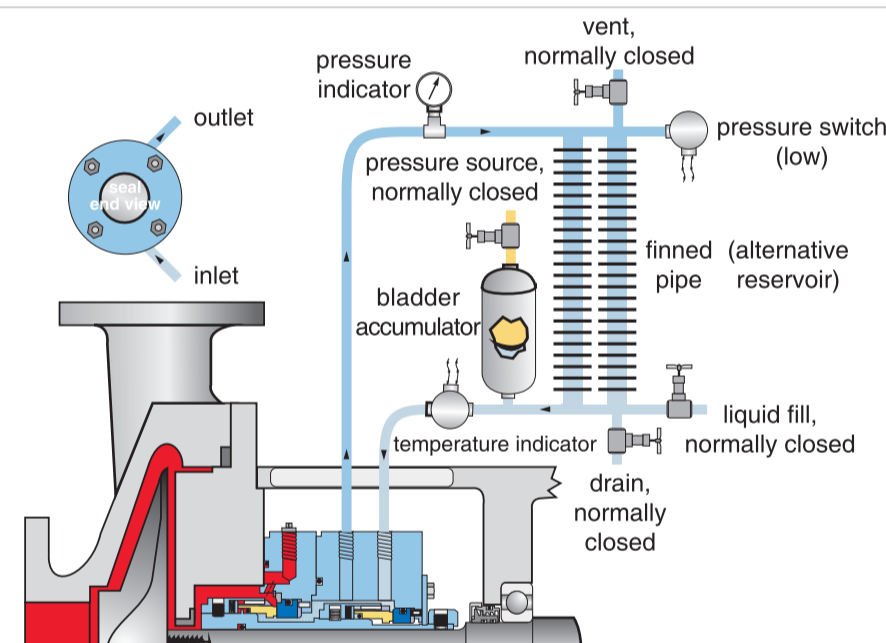
Plan 52



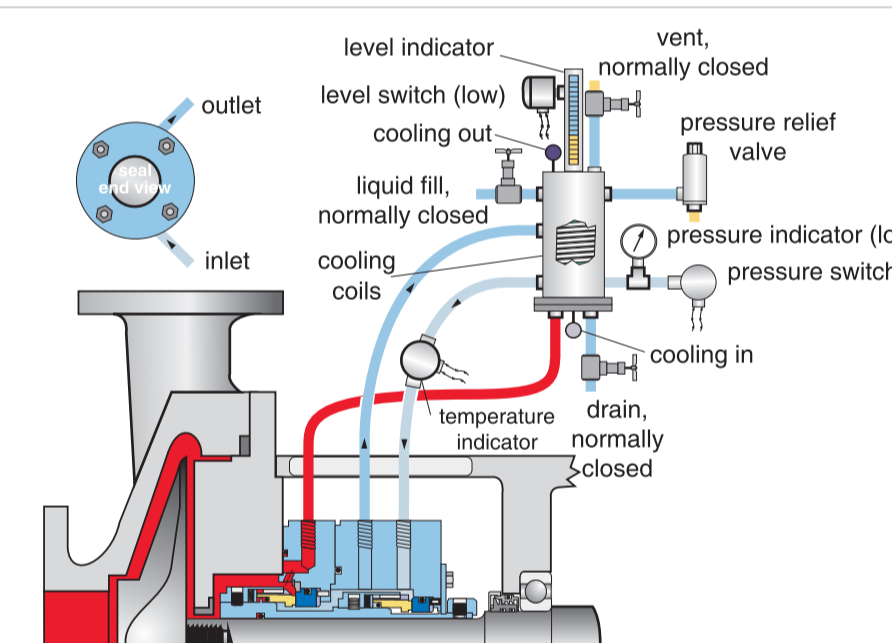
Plan 53A



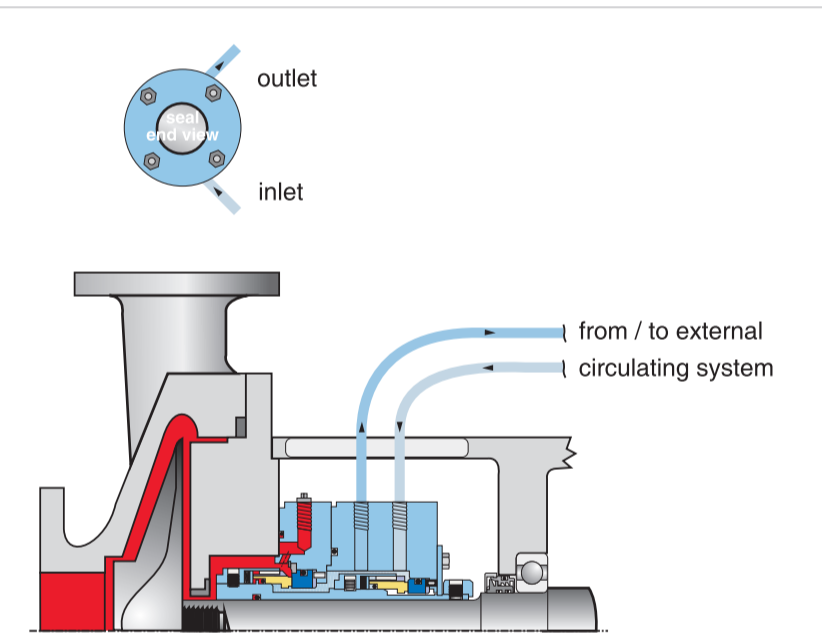
Plan 53B



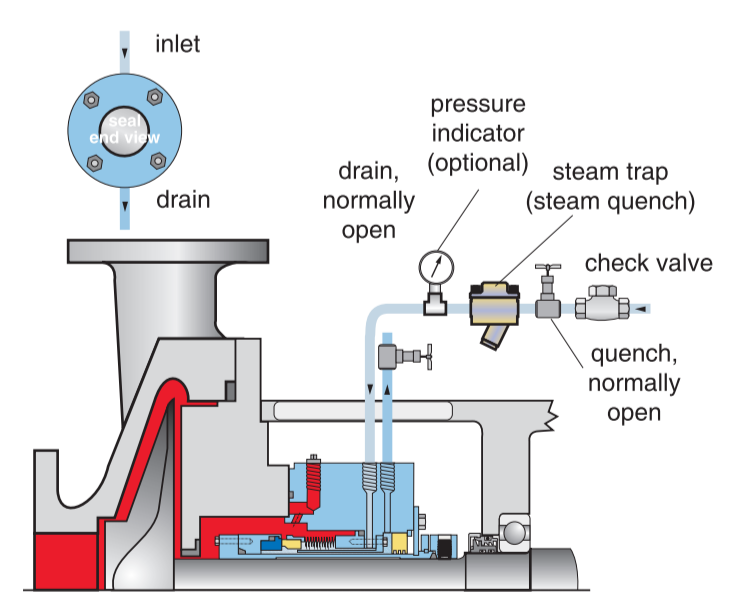
Plan 53C



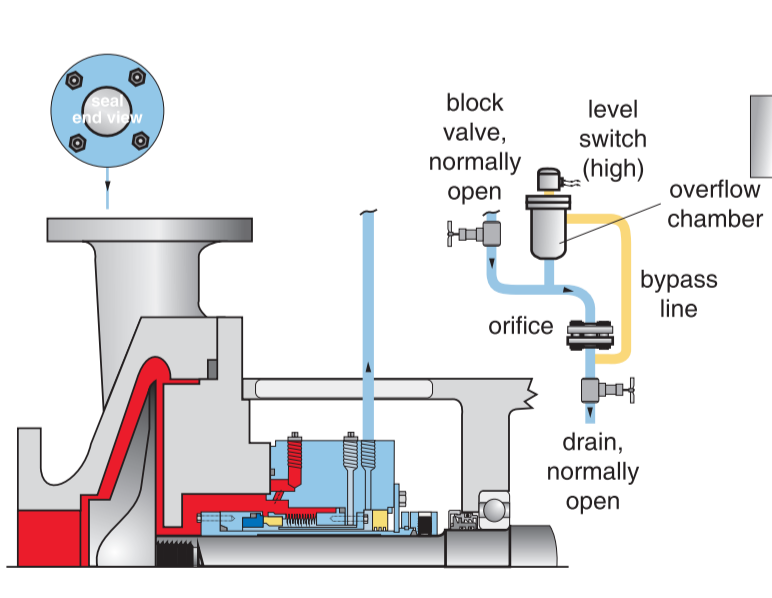
Plan 54



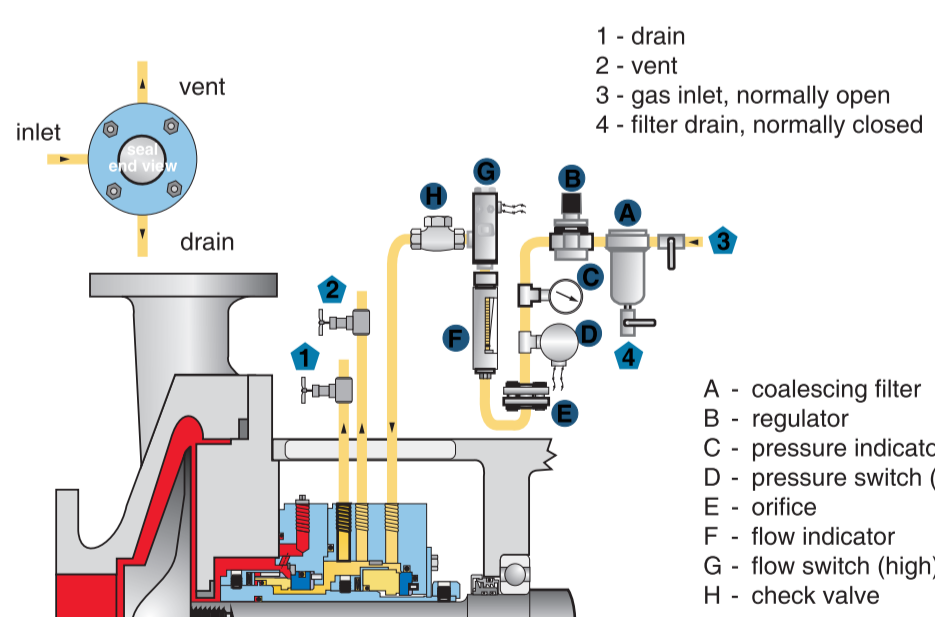
Plan 62



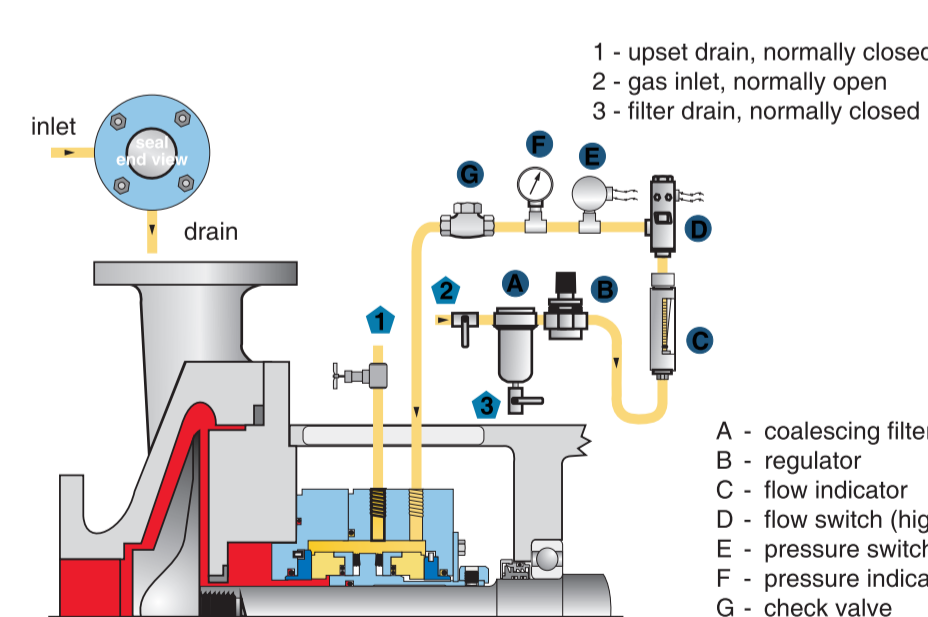
Plan 65



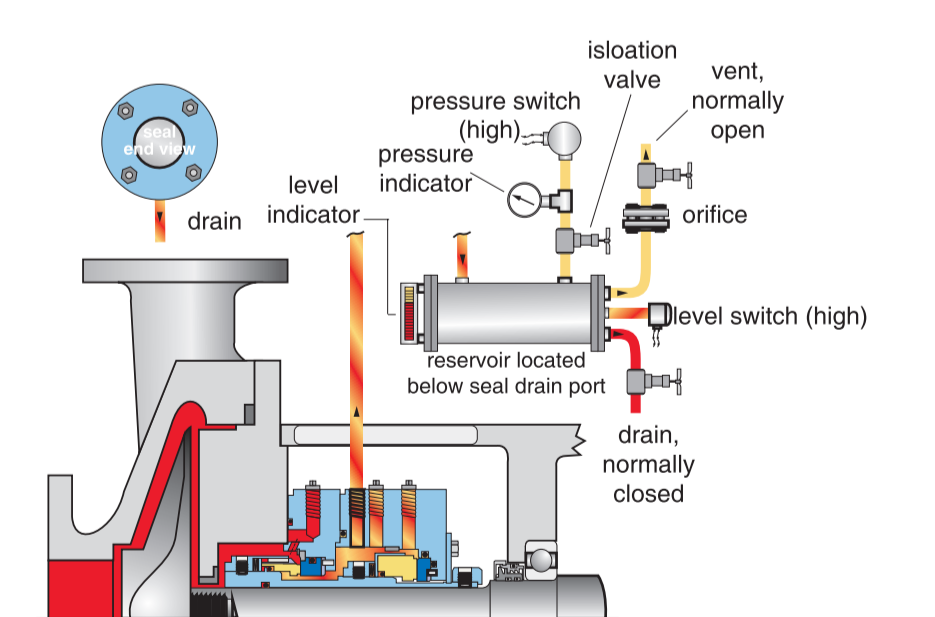
Plan 72



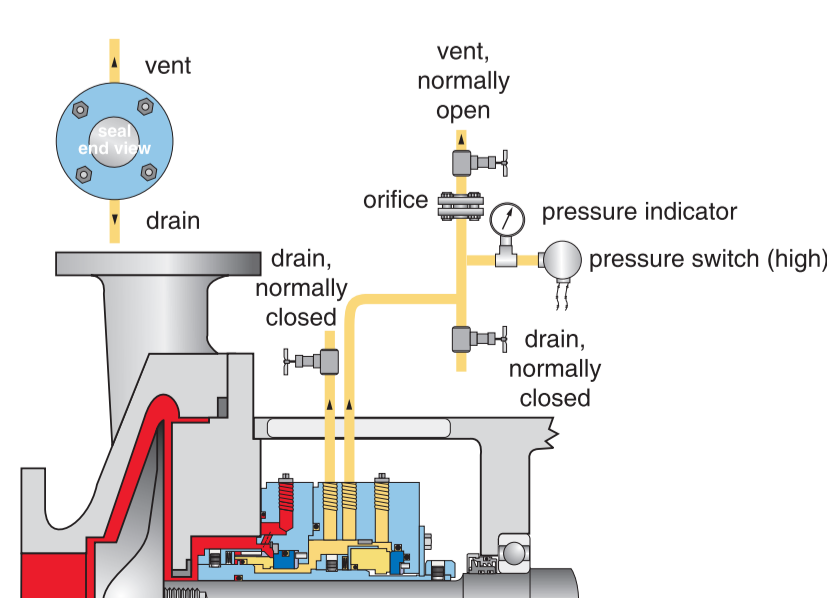
Plan 74



Plan 75

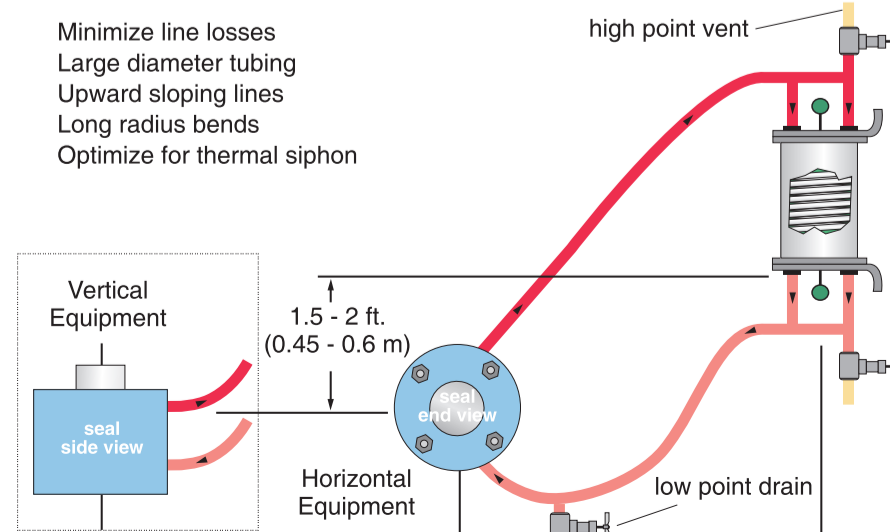


Plan 76



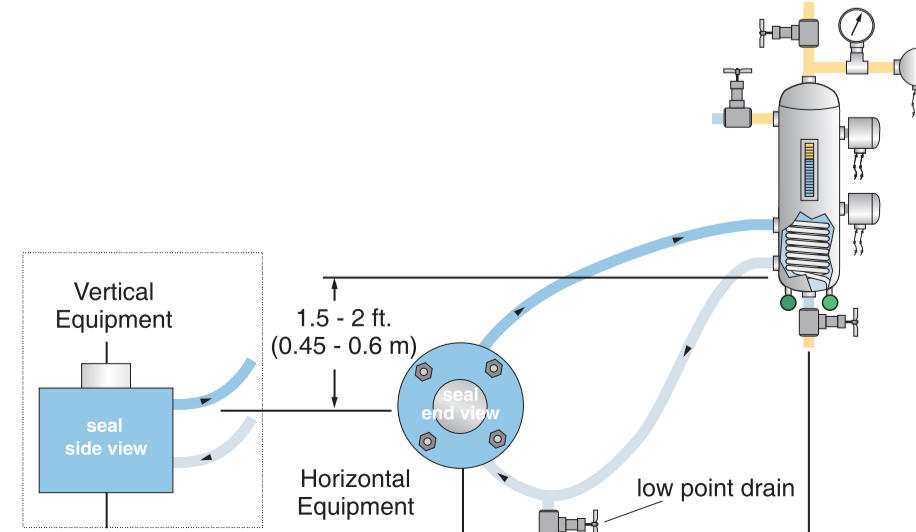
Appendix A

## Good Piping Practices



Appendix B

## Dual Seals - Plan 53A shown



**NISHANT SEALS**  
MECHANICAL SEALS & SPARES

405, RAHEJA ARCADE, PLOT NO. 61, SECTOR - 11, C.B.D-  
BELAPUR, NAVI MUMBAI - 400614  
TEL : 91-22-27570707 / 27571973, Fax : 91-22-27580060  
Email : [sales@nishantseals.com](mailto:sales@nishantseals.com) / [nishant3@mtnl.net.in](mailto:nishant3@mtnl.net.in),  
Web : [www.nishantseals.com](http://www.nishantseals.com)